

auto electrical parts

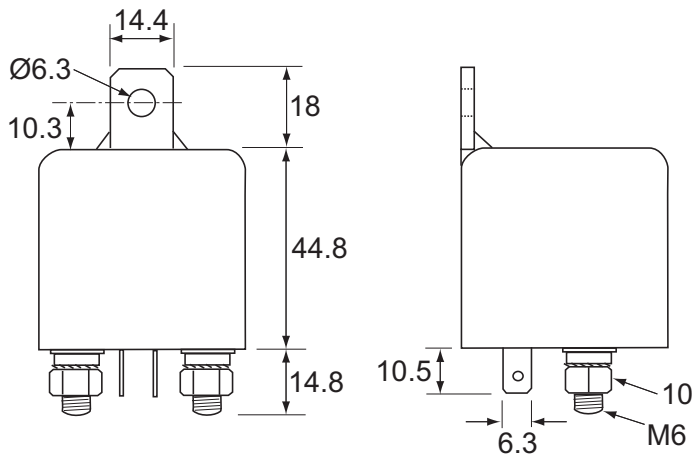
Technical Information Sheet

Part No. 0-727-06

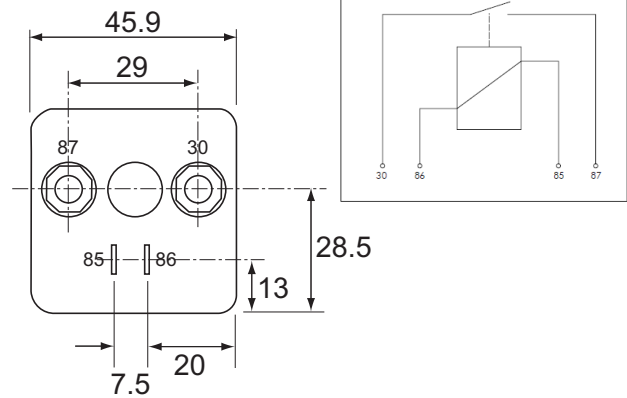
Extra heavy duty make and break relay. 24 volt, 60 amp, with bracket. 2 x 6.3mm terminal and 2 x M6 stud.



Technical Drawing (not to scale)



Circuit Diagram



Specification

Type	Make and break relay
Voltage	24 volt dc
Current	60 amp (continuous) 80 amp (intermittant)
Exitation voltage	12 volt
Coil dropout voltage	4 volt
Coil current	0.11 amp
Coil resistance	210 - 225
Terminal voltage drop	0.2 - 0.3 volt
M6 Stud	Brass
Torque	5 N/m (maximum)
Case material	Nylon PA6 with 15% Glass Fibre
Operating temp range	-30°C to +80°C
Storage temp range	-40°C to +85°C
Operating life	10 ⁵ (electrical)
Weight	96g
Dimensions	l 45.9 x w 45.9 x h 62.8mm (excluding terminals)

The information contained in this document is correct to the best of our knowledge at the time of printing. However, specifications may change at any time without notice.